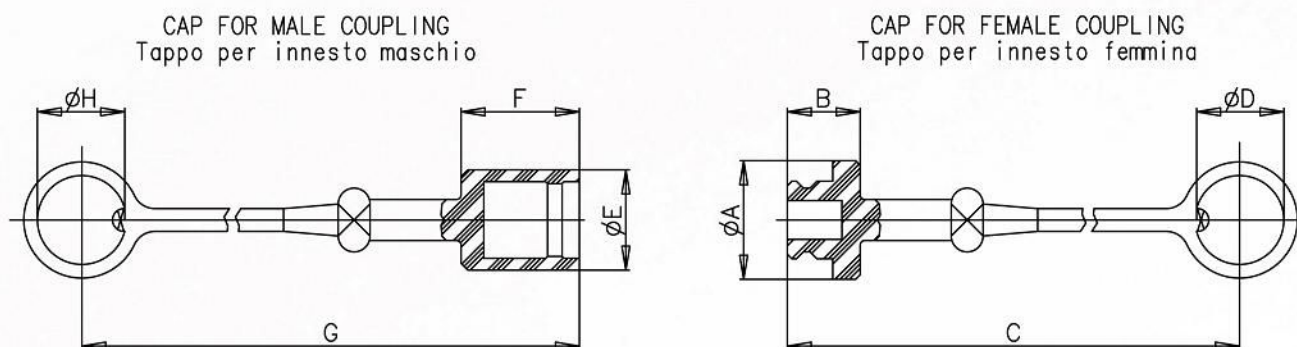


PROTECTION CAPS FOR IR-V AND IR SERIES

Protective caps are always recommended to protect the couplings from damage or dirt inclusion, and increase the product life. This is particularly important in mobile applications where contamination can enter the coupling and compromise the function. The caps for BIR, IR-V and IR series are manufactured in PVC rubber and they are available in several colors.



OVERALL DIMENSIONS PROTECTION CAPS FOR IR-V AND IR SERIES



PVC CAPS

- Available in following colors: Red, yellow, blue, black and green.
- Temperature range: from -20 °C to +100 °C (from -4 °F to +212 °F).

Description	Coupling	Unit	A	B	C	D	E	F	G	H	Unit	Weight
T.M. 1/4	F-IR14	mm	26	16	223	19,5	-	-	-	-	Kg	0,018
	F-IR14V	Inch	1,02	0,63	8,78	0,77	-	-	-	-	lb	0,04
T.F. 1/4	M-IR14	mm	-	-	-	-	22	26	233	19,5	Kg	0,017
	M-IR14V	Inch	-	-	-	-	0,87	1,02	9,17	0,77	lb	0,04
T.M. 3/8	F-IR38	mm	30	18	225	25,5	-	-	-	-	Kg	0,032
	F-IR38V	Inch	1,18	0,71	8,86	1,00	-	-	-	-	lb	0,07
T.F. 3/8	M-IR38	mm	-	-	-	-	27	29	236	25,5	Kg	0,024
	M-IR38V	Inch	-	-	-	-	1,06	1,14	9,29	1,00	lb	0,05
T.M. 1/2	F-IR12	mm	33	20	273	28	-	-	-	-	Kg	0,020
	F-BIR12	Inch	1,30	0,79	10,75	1,10	-	-	-	-	lb	0,04
T.F. 1/2	M-IR12	mm	-	-	-	-	29	32	239	28	Kg	0,022
	M-BIR12	Inch	-	-	-	-	1,14	1,26	9,41	1,10	lb	0,05
T.M. 3/4	F-IR34	mm	40	25	272	32	-	-	-	-	Kg	0,024
	F-IR34V	Inch	1,57	0,98	10,71	1,26	-	-	-	-	lb	0,05
T.F. 3/4	M-IR34	mm	-	-	-	-	35	42	289	32	Kg	0,019
	M-IR34V	Inch	-	-	-	-	1,38	1,65	11,38	1,26	lb	0,04
T.M. 1	F-IR100	mm	44	24	271	38	-	-	-	-	Kg	0,041
	F-IR100V	Inch	1,73	0,94	10,67	1,50	-	-	-	-	lb	0,09
T.F. 1	M-IR100	mm	-	-	-	-	40	47	294	38	Kg	0,037
	M-IR100V	Inch	-	-	-	-	1,57	1,85	11,57	1,50	lb	0,08

The texts, data and illustrations indicated in this catalogue, may be changed by Stucchi S.p.A at any time without notice. (CAT. IR - EN - March 2008).